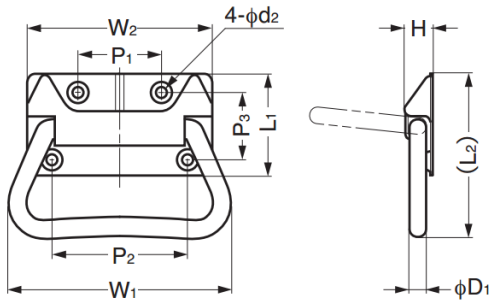


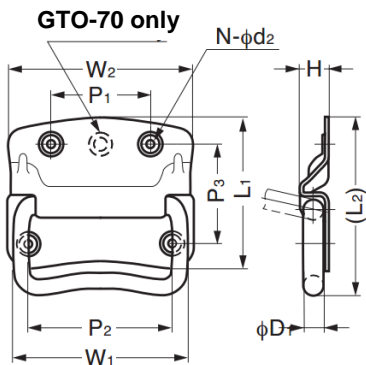
GTO Spring Loaded Folding Ring Pull

Features

- Folding handle provides ample grabbing room under the handle for gloved hands
- Spring loaded version snaps back into flat position to stay out of the way when not in use



With Spring



Without Spring



Part No.	Type	Material	Finish	L ₁	L ₂	W ₁	W ₂	H	P ₁	P ₂	P ₃	øD ₁	ød ₂	N
GTO-85SS	With Spring	Stainless Steel 304	Satin	40	62	84	70	12	32	52	24	7	4.5	4
GTO-105SS				47	75	105	88	13	40	65	30	8	5.5	
GTO-85				40	62	84	70	12	32	52	24	7	4.5	
GTO-105				47	75	105	88	13	40	65	30	8	5.5	
GTO-70	Without Spring	Steel	Chromate	54	69	60	68	9	-	49	34	6	4.7	3
GTO-80				73	80	75	83	11	45	63	43	7	5	4
GTO-90				75	91	82	90	12	48	69	47	8	5.5	
GTO-100				85	105	95	102	14	51	76	54	9	6	